

LOC X53

DIST -

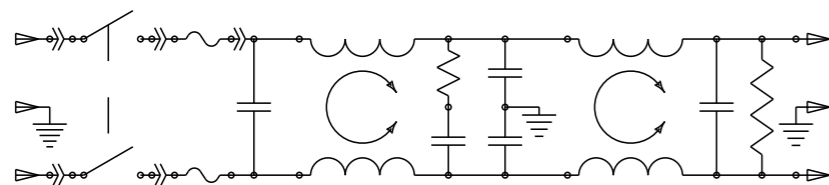
REVISIONS

© COPYRIGHT 20 BY - ALL RIGHTS RESERVED.

P	LTR	DESCRIPTION	DATE	DWN	APVD
	A	ECO-10-017557	10JAN2012	EC	EC

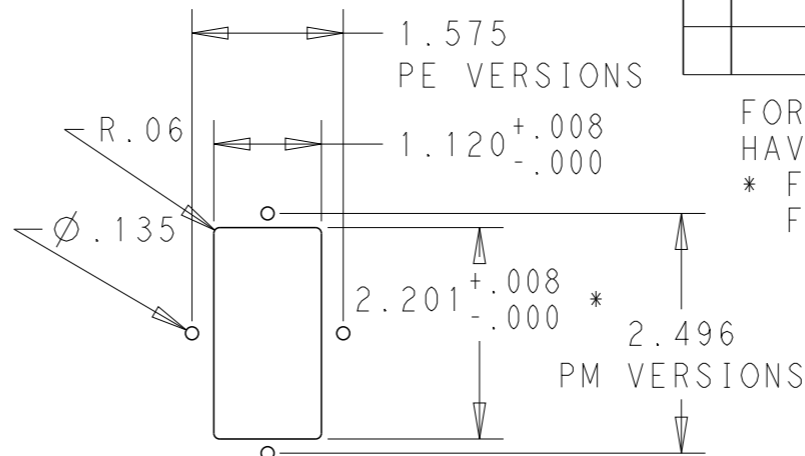
MINIMUM INSERTION LOSS, 50Ω LINE AND LOAD IMPEDANCES

LINE TO GROUND (COMMON MODE)							LINE TO LINE (DIFFERENTIAL MODE)						
CURRENT RATING	FREQUENCY, MHz						CURRENT RATING	FREQUENCY, MHz					
	.15	.5	1	3	10	30		.15	.5	1	3	10	30
3 AMP	50	60	60	49	40	30	3 AMP	25	60	60	53	45	40
6 AMP	34	58	58	47	37	30	6 AMP	9	50	62	54	46	40
10 AMP	6	35	45	45	38	30	10 AMP	10	20	59	54	48	40

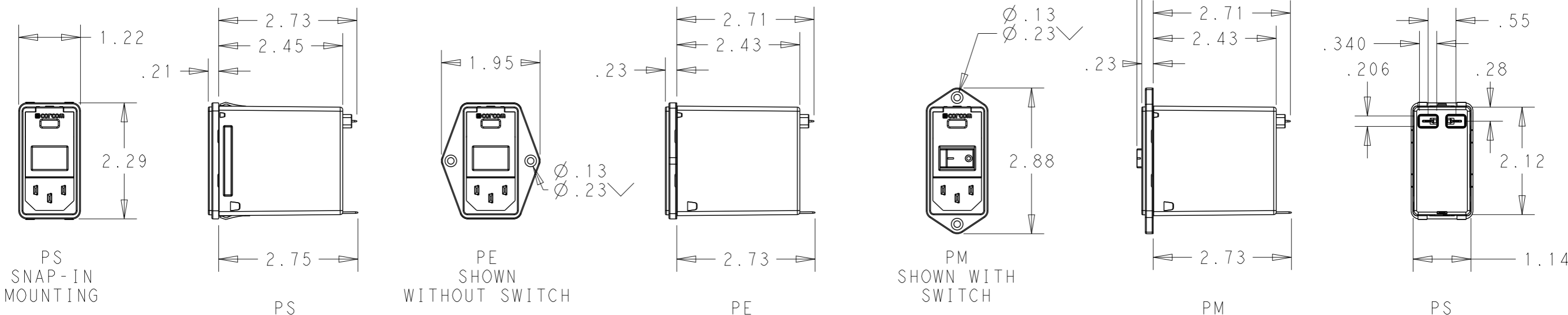
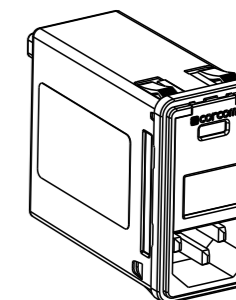


SCHEMATIC

PANEL CUT-OUT



FOR PS VERSIONS THE SHORT EDGES MUST HAVE R.02 ON INSERTION SIDE.
 * FOR PANEL THICKNESS 0.031-0.079 USE 2.201
 FOR PANEL THICKNESS 0.083-0.114 USE 2.213.



PART NUMBER SYSTEM

MOUNTING STYLE
 S = SEE ABOVE
 E = SEE ABOVE
 M = SEE ABOVE


SWITCH OPTIONS
 0 = NONE
 S = DOUBLE POLE, SINGLE THROW

FUSE LOCATIONS
 D = DUAL FUSING
 S = SINGLE FUSING
 INCLUDES CONVERSION CLIP

CURRENT
 3 = 3 AMP
 6 = 6 AMP
 X = 10 AMP

PSOSOSM6E EXAMPLE:
 SNAP-IN MOUNTING
 WITH SWITCH
 SINGLE FUSING
 6 AMP
 0'S ARE ZEROS.

HIPOT RATING (ONE MINUTE)	MAX LEAKAGE CURRENT .25mA @ 120V 60Hz
LINE TO GROUND: 1500 VAC	PER LINE TO GROUND: .50mA @ 250V 60Hz
LINE TO LINE: 1450 VDC	HUMIDITY: 21 DAYS, 40°C @ 95%RH
OPERATING FREQUENCY: 50/60 Hz	CURRENT OVERLOAD: 6X RATED FOR 8 SEC
RATED VOLTAGE: 120/250 VAC	SWITCH: 10K CYCLES @ 51 AMP INRUSH
FUSING: ACCEPTS 3AG Ø 1/4" X 1-1/4"	TERMINALS: 0.187" X .032 FASTON TABS
OR METRIC Ø 5 mm X 20 mm	SAFETY AGENCIES: UL RECOGNIZED, CSA CERTIFIED, VDE APPROVED.
OPERATING AMBIENT TEMP: -10°C TO 40°C	
STORAGE TEMPERATURE: -40°C TO 85°C	

THIS DRAWING IS A CONTROLLED DOCUMENT.		DWN EC 20DEC2011	 TE Connectivity	
		CHK - 20DEC2011		
DIMENSIONS: INCHES		APVD EC 20DEC2011	NAME	
TOLERANCES UNLESS OTHERWISE SPECIFIED:		PRODUCT SPEC	MEDIUM P SERIES SWITCHED, FUSED, 2-STAGE FILTERED INLET	
0 PLC ±.2 1 PLC ±.1 2 PLC ±.02 3 PLC ±.005 4 PLC ±.0005 ANGLES ±1		APPLICATION SPEC	SIZE	CAGE CODE
MATERIAL - FINISH -		WEIGHT -	A300779	©-MEDIUM-P-SERIES
		CUSTOMER DRAWING	SCALE 1:2	SHEET 1 OF 1
				REV A